

# Paris Session 2022



## Contribution of wide area protection systems to power system challenges

B5 Protection & Automation PS 3 / Integration of intelligence on substations / Question 3.03 – *What are the power system challenges you face in protection application that could be solved by the application of system wide protection schemes?*

Jonas Pesente / Brazil



ITAIPU

© CIGRE 2022

Group Discussion Meeting

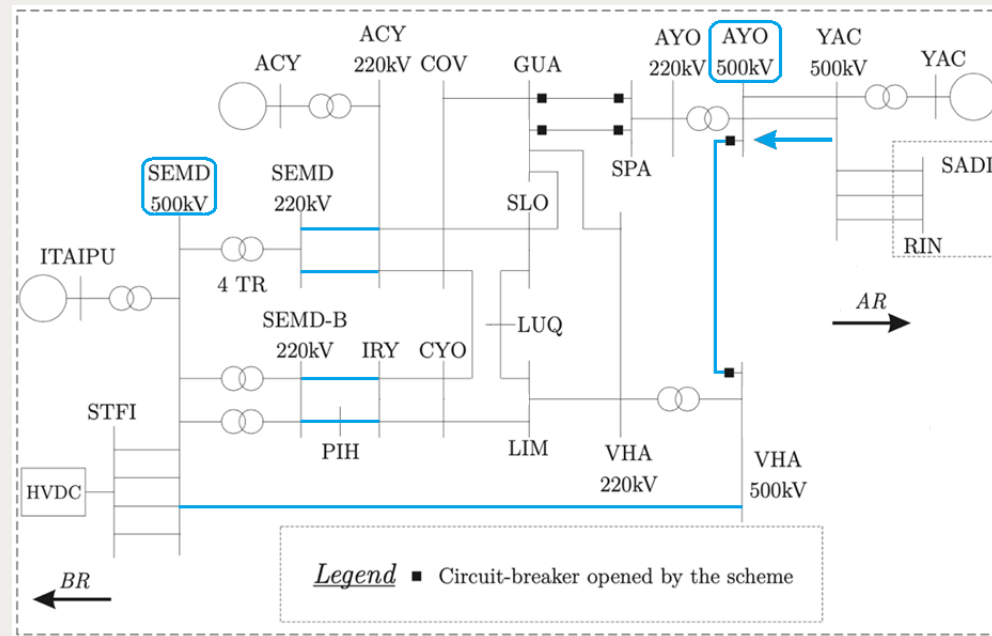
1

© CIGRE 2021

*What are the power system challenges you face in protection application that could be solved by the application of system wide protection schemes?*

A: Standard protections do not have the number of system measures enough to assess systemic phenomena such as instabilities and monitor their evolution over time for decision making (they need to act preventively).

Ex: ECCANDE WAMPAC



Group Discussion Meeting

*What are the power system challenges you face in protection application that could be solved by the application of system wide protection schemes?*

### *Attention points*

- 1 - It is critical to highlight a strict requirements in specifications to ensure measurement quality and communication redundancy.
- 2 - It is recommended to employ special protection systems as a backup logic that responds to system events, usually timed to guarantee coordination with them.