

Rte R#SPACE - Configuration

Committee B5 – Q3.04 What are other experiences to improve the specification, engineering, testing and maintenance to address the challenges in our industry?

Volker LEITLOFF - FRANCE

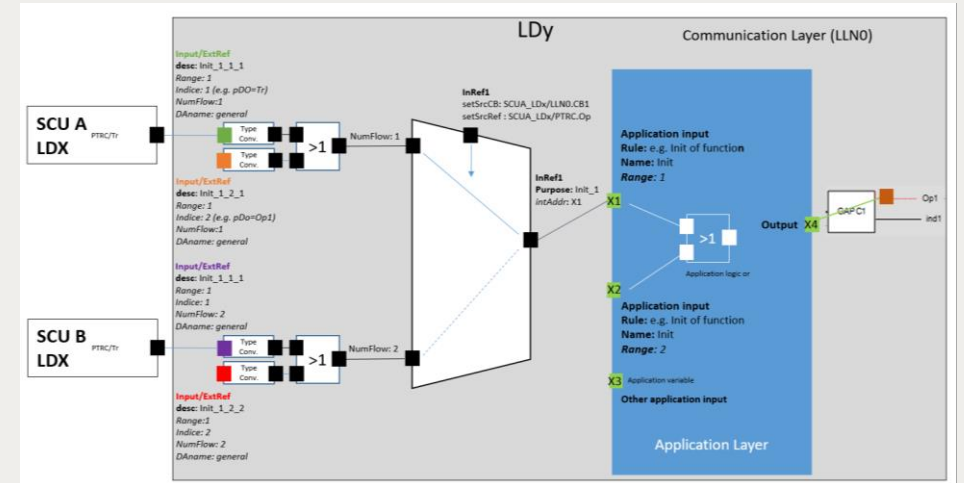
Configuration : central element of the PACS

- Rte is currently developing a digital PACS based on a modular architecture based on IEC 61850 called R#SPACE
- Rte acts as system integrator
- Rte develops a configuration tool using an open source approach (LFE / ComPAS)



Issues related to IEC 61850 based Configuration

- Association between IEC 61850 DO and functional specification needs to be better formalised
- Complement for setting information required
 - Complete existing LN
 - Add generic setting LN
- Formalisation of the association of terminals to the IEC 61850 Data objects for the Binary I/O required
 [based on draft TR IEC 61850-90-29]
- Several other issues



DA Type	DO Type	DO Value(s) leading to contact opening	DO Value(s) leading to contact closure	DO Value(s) leading to contact opening	DO Value(s) leading to contact closure
		OutMod = Active High		OutMod = Active Low	
Boolean	any	false	true	true	false
DPC	Pos	off / intermediate state / bad-State	on	on / intermediate state / bad-State	off