



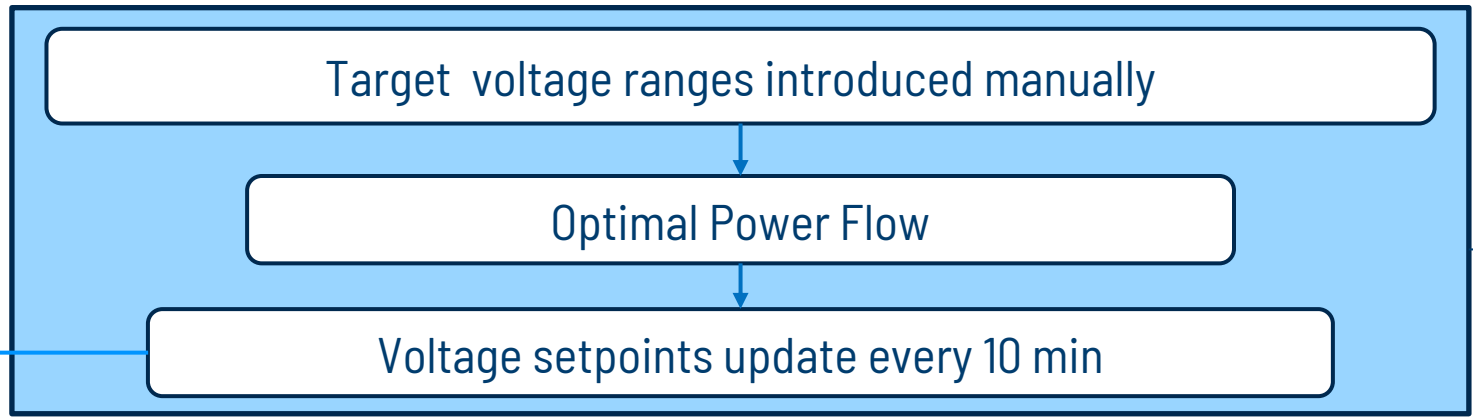
red eléctrica

A Redeia company

New voltage control service AND VOLTAIREE project

Group Discussion Meeting - CIGRE

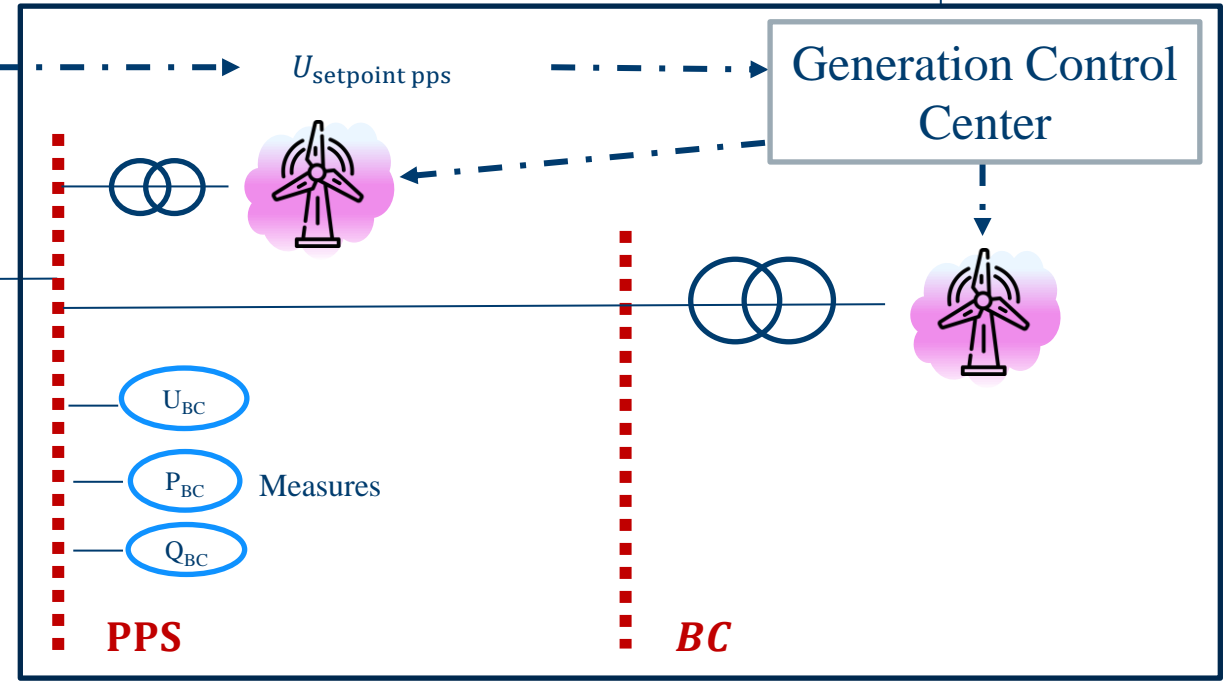
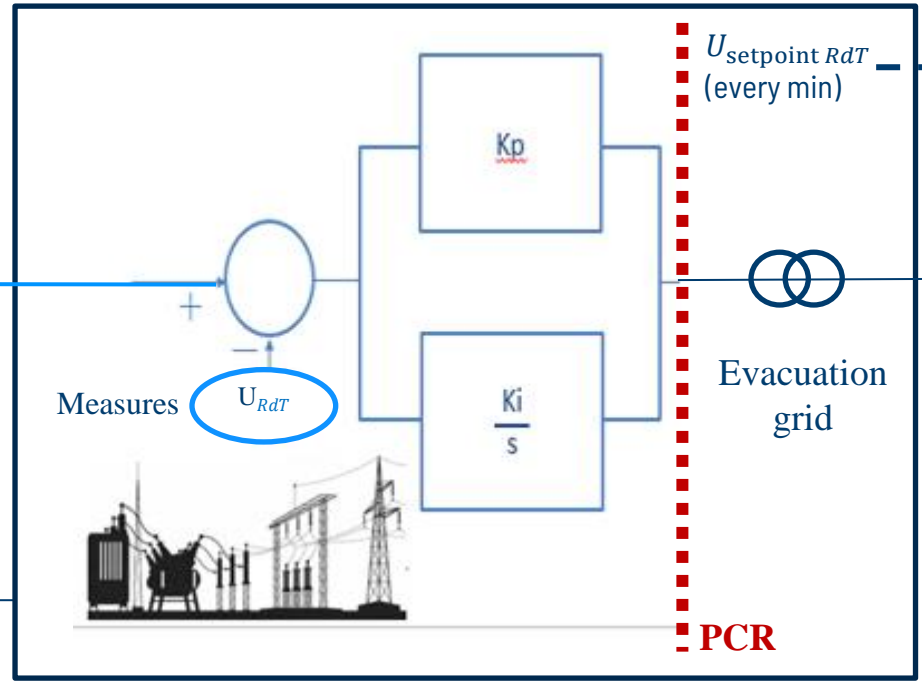
August, 2022

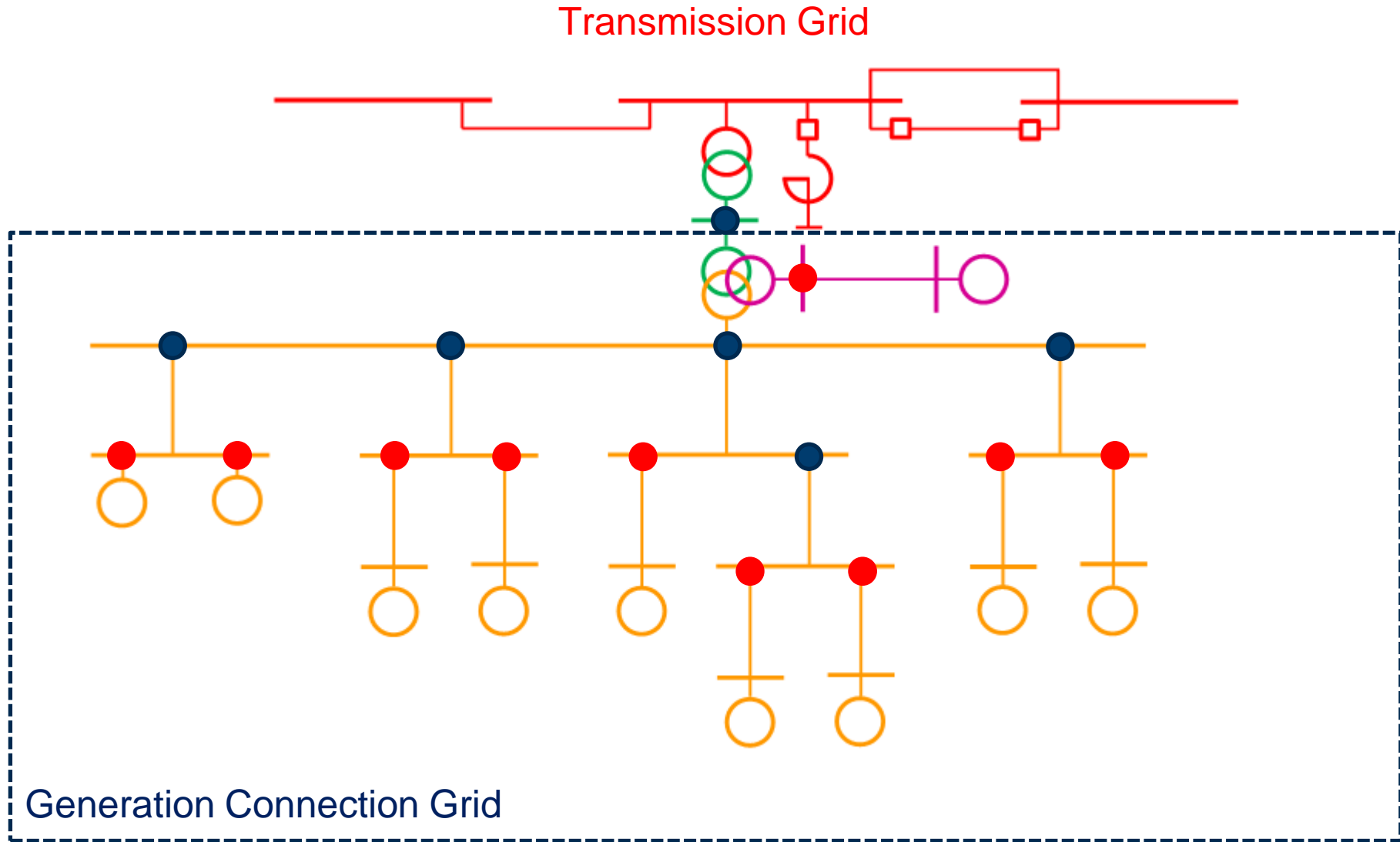


Optimized Voltage Regulation

Primary Proportional Voltage Control

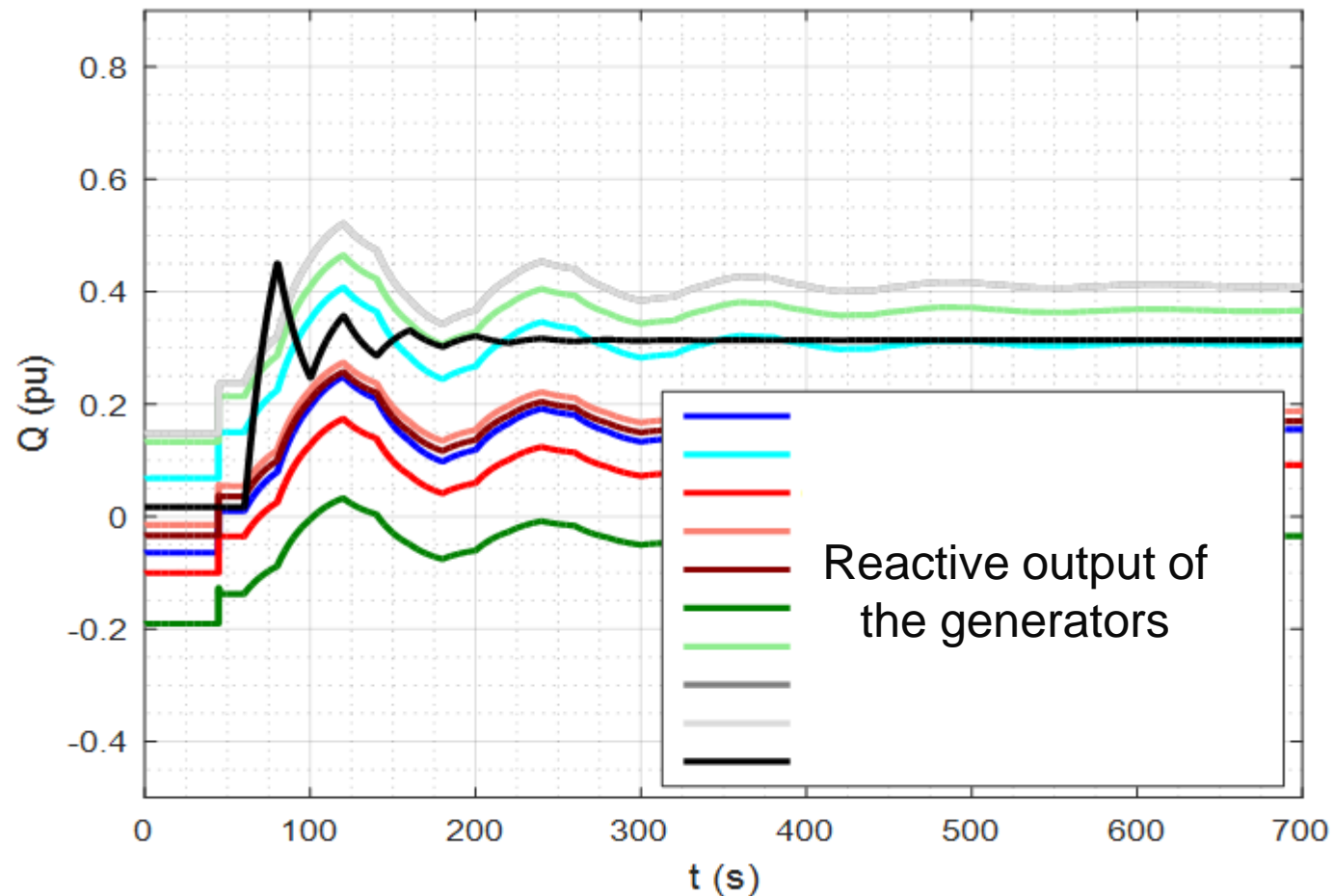
Secondary Voltage Regulation





- Individual
- Aggregated

Simulations show how several wind parks respond to voltage setpoints and voltage measures in their bars. These response has an **impact in the transmission grid and is correctly damped:**



redeia

Valuing the essentials

red eléctrica

reintel

hispasat

redinter

elewit