



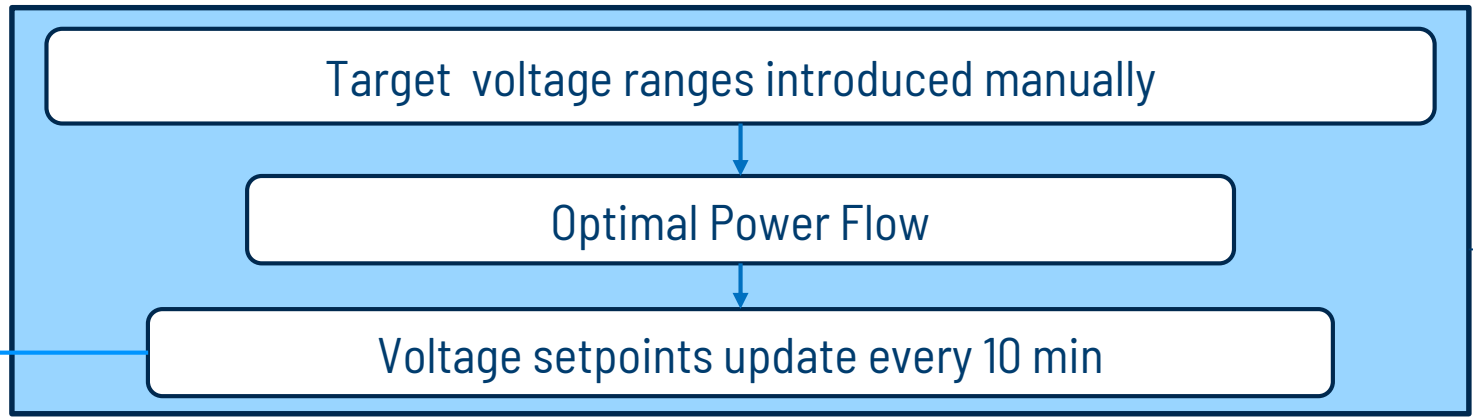
red eléctrica

A Redeia company

New voltage control service AND VOLTAIREE project

Group Discussion Meeting - CIGRE

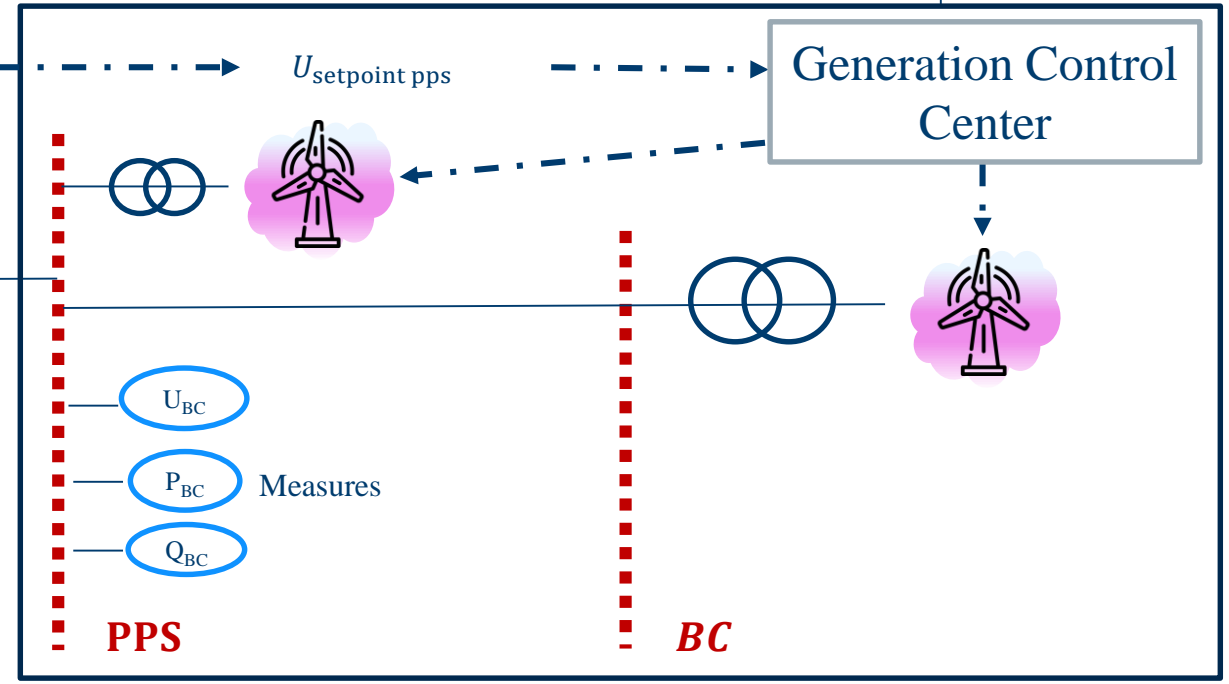
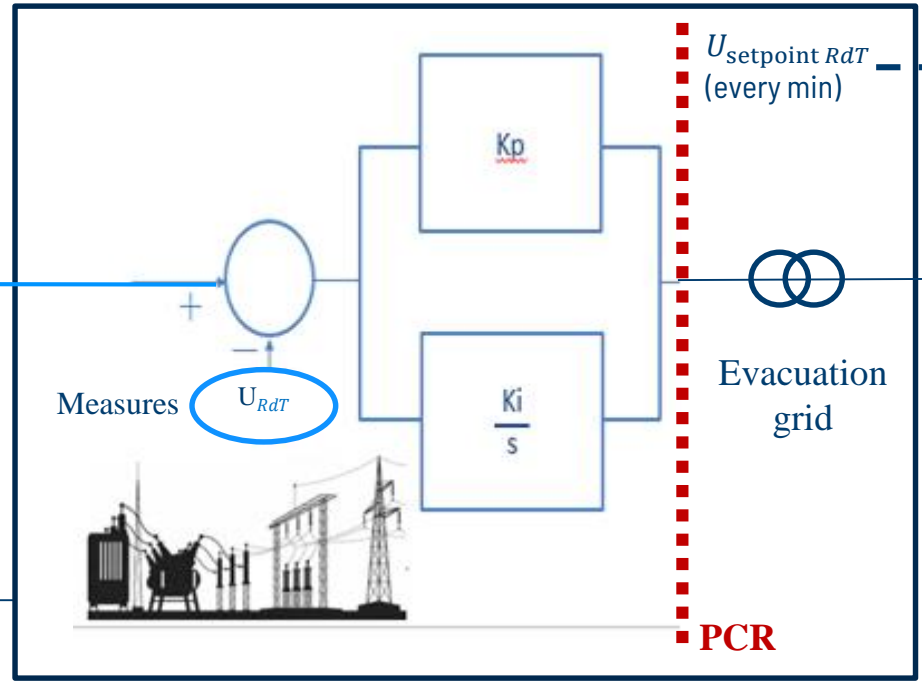
August, 2022

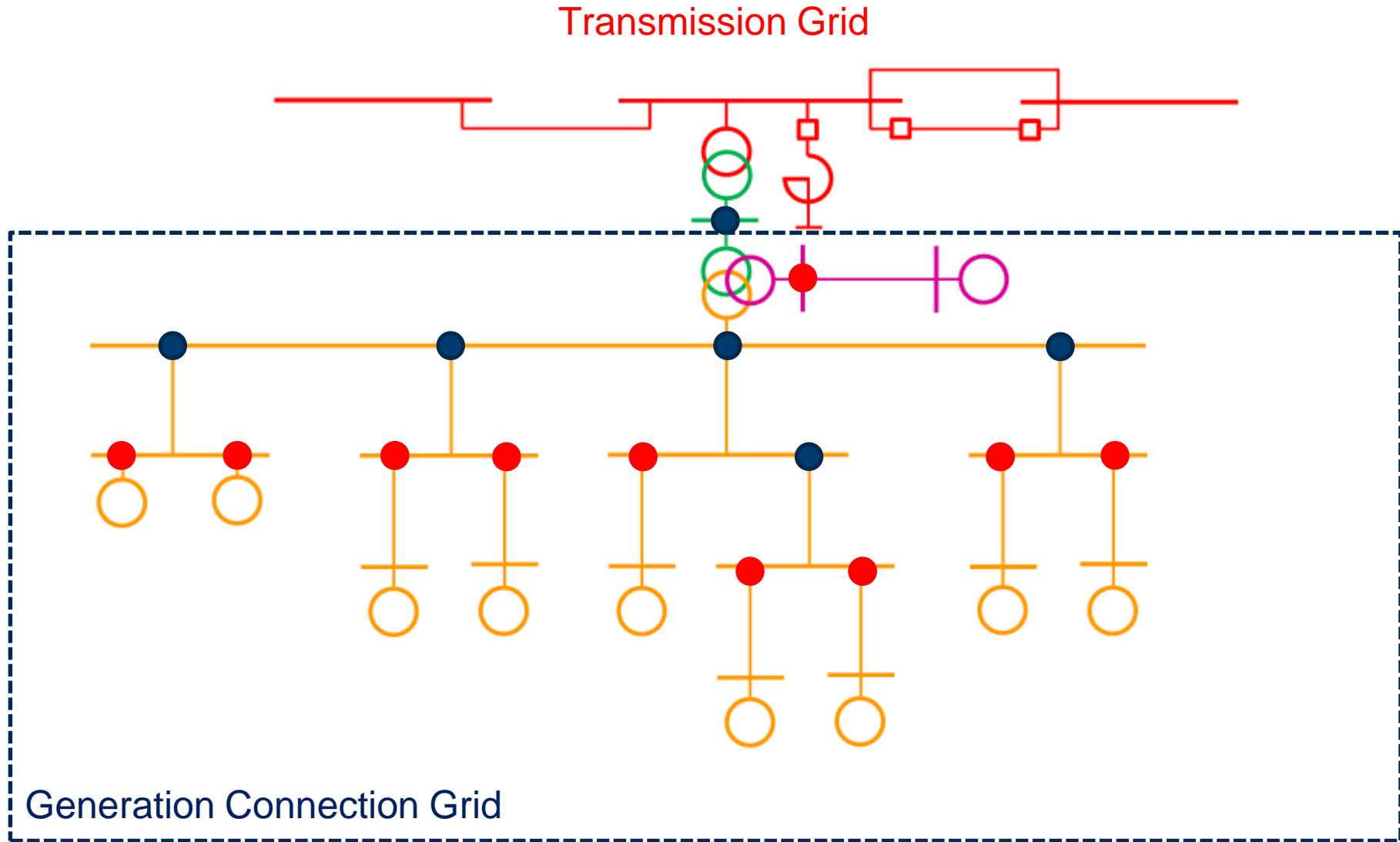


Optimized Voltage Regulation

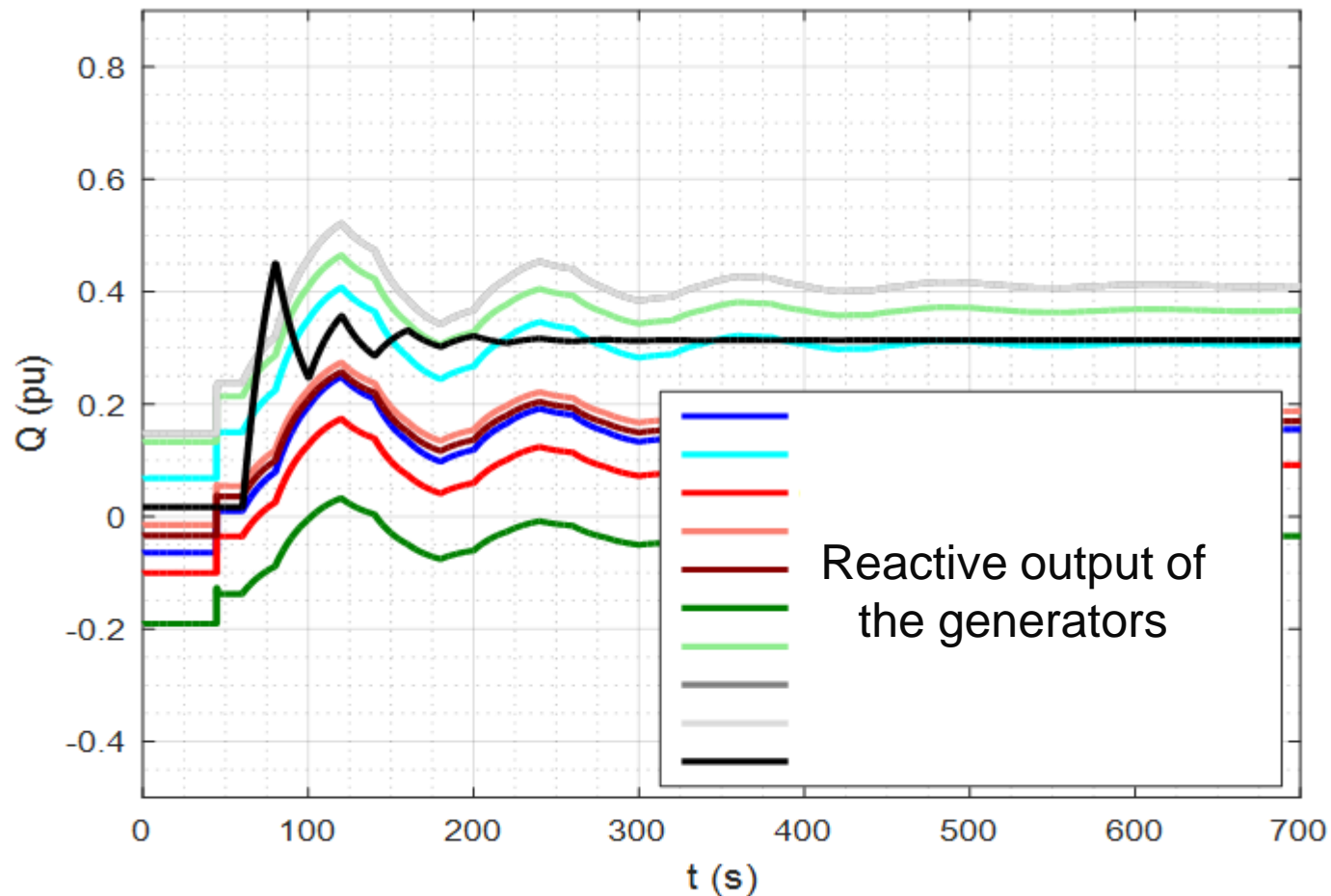
Primary Proportional Voltage Control

Secondary Voltage Regulation





Simulations show how several wind parks respond to voltage setpoints and voltage measures in their bars. These response has an **impact in the transmission grid and is correctly damped:**



redeia

Valuing the essentials

red eléctrica

reintel

hispasat

redinter

elewit