

Paris Session 2022



Service isolation and differentiation in a multiservice MPLS-TP packet-switched network.

SC D2 – PS3 – Question 3.6

At the remote site level, for example at the substations, where multiple services exist, discuss the techniques used to segment, isolate and apply service differentiation in a multi-service packet-switched network. A challenging example is the case of protection relays – discuss the approaches that can be used in designing a packet-switched network to securely segregate the two services (SCADA and relay management), both of which are applicable to protection relays – you may choose to submit your contribution to include this challenging example, or you may choose to contribute other example cases if desired.



Davy Haegdorens - JAPAN



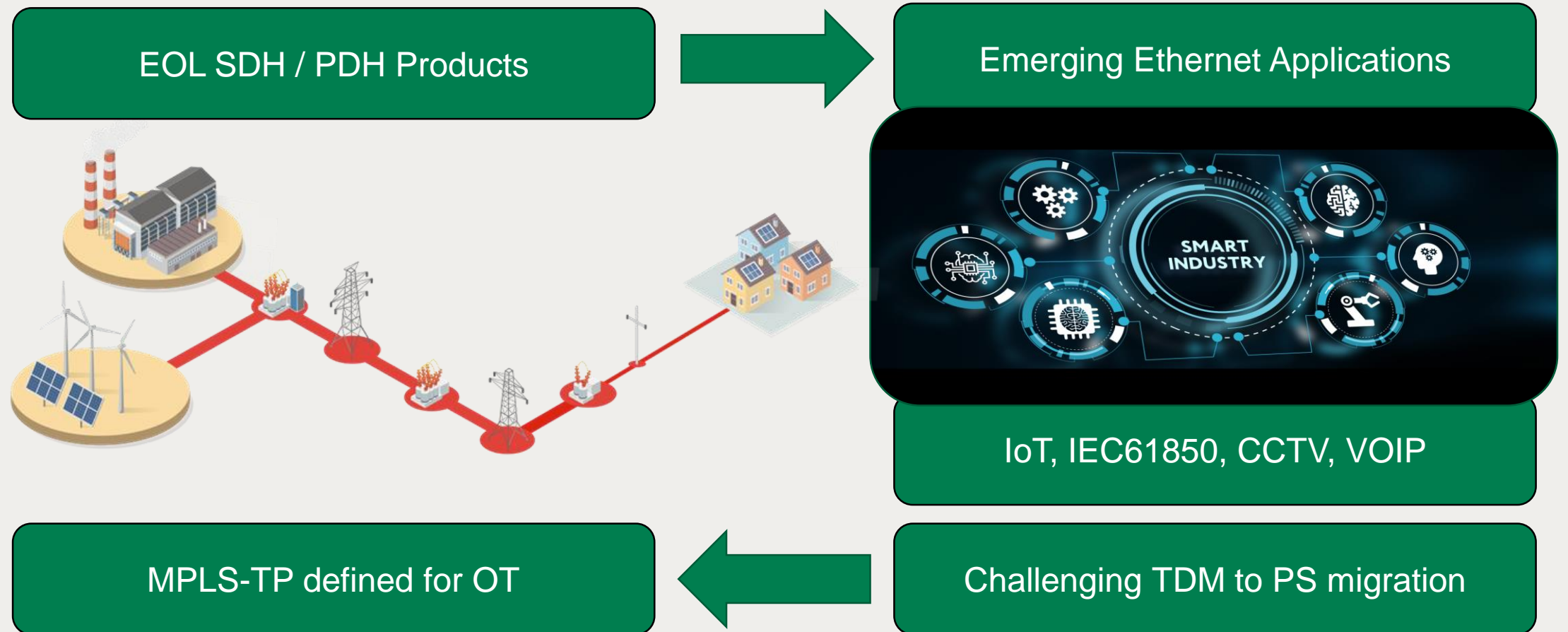
Group Discussion Meeting

© CIGRE 2022

1

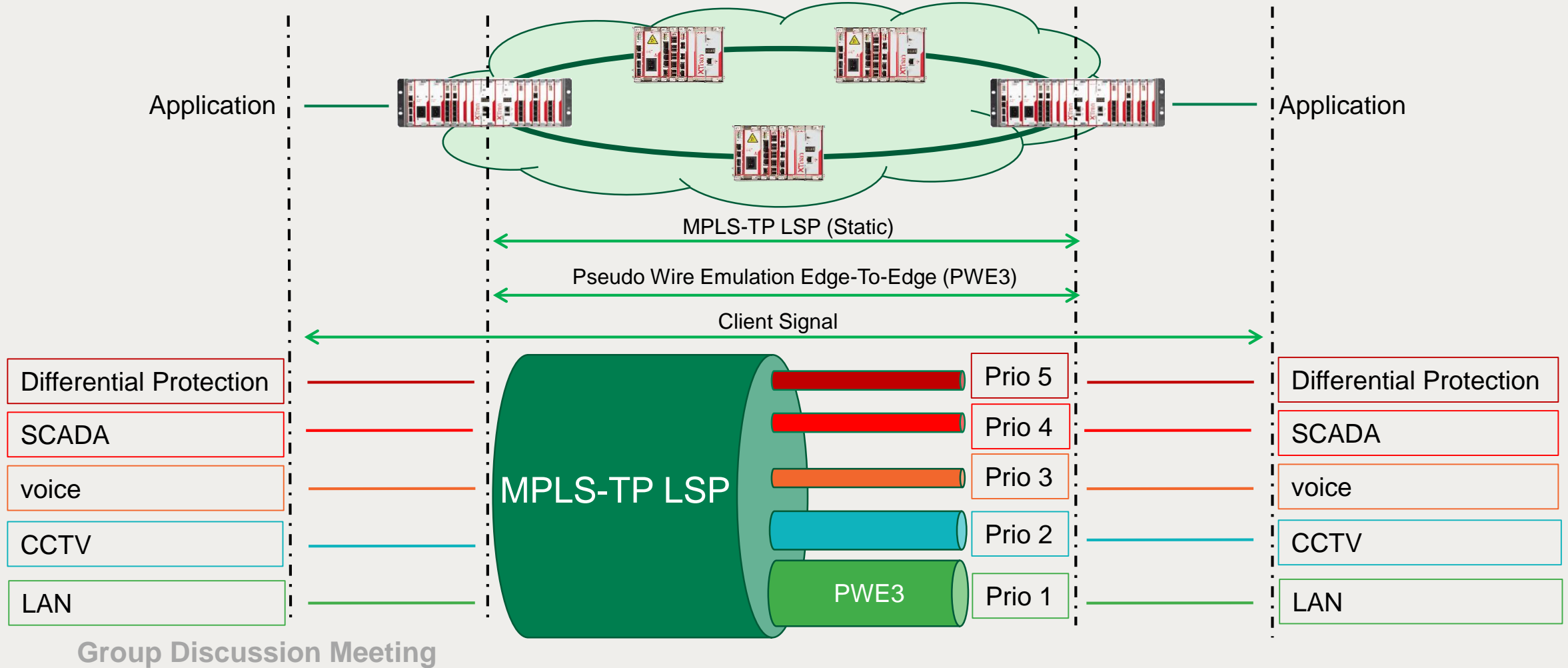
© CIGRE 2021

Multiservice Utilities Network



Group Discussion Meeting

MPLS-TP Service Segregation and Differentiation



CONCLUSION

- MPLS-TP = secure isolated service transport.
 - Service segregation via LSP and PWE3
 - Service differentiation with a 100% QoS
 - Guaranteed constant delay

Group Discussion Meeting

